



MoodMaker® Scene Select Plate

Product order code: MMSS

Wide range of single-gang plate and knob finishes available.

Please contact Multiload Technology.

Plate operation

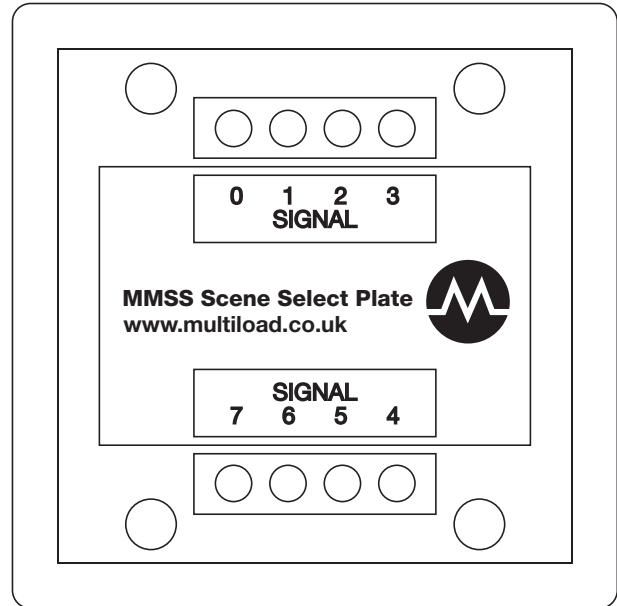
Turning the rotary knob clockwise will select the next scene up (up to Full) and anti-clockwise rotation the next scene down (down to Off). The knob operates a rotary encoder so that rotation can be continuous in either direction with no risk of damage by crashing an end-stop.

An LED will indicate which Scene is selected on all plates connected: one white LED for Full; four blue LEDs for scenes; one green for Off. The selected scene is also indicated by an LED on the MoodMaker set-up unit.

Wiring connections

The MoodMaker MMSS Scene Select Plate is wired in 8-core stranded signal / alarm cable (eg. RS365-593) to the MoodMaker Set-up Unit. Terminate cable to terminals as recommended below.

Colour code	0 : black	4 : yellow
	1 : brown	5 : green
	2 : red	6 : blue
	3 : orange	7 : white



Screw-less plate assembly – rear view

Installation of screw-less plate assembly into wallbox

- i Terminate the wiring into the correct terminals.
- ii Using the grid plate mounting screws, screw the grid plate into the wall box until the plate is just below flush with the wall. Do not fully tighten the mounting screws, as generally the grid plate will need a margin of play in the wall box for correct fitting.
- iii Place the front plate onto the rotary encoder switch shaft and locate on to the LEDs. Screw on the plate fixing collar; the LEDs should protrude just above the surface of the front plate. If the grid plate is too deep, ie. the mounting screws have been done up too much, the LEDs will not protrude. If the mounting screws have not been tightened enough, the fixing collar will not pull the front plate tight against the wall. In either of these cases, remove the plate fixing collar and front plate and readjust the mounting screws.
- iv Tighten the front plate fixing collar using the plastic spanner provided to avoid scratching.
- v Push the knob onto the rotary encoder switch shaft ensuring a good fit, with a small amount of tape around the shaft if necessary.

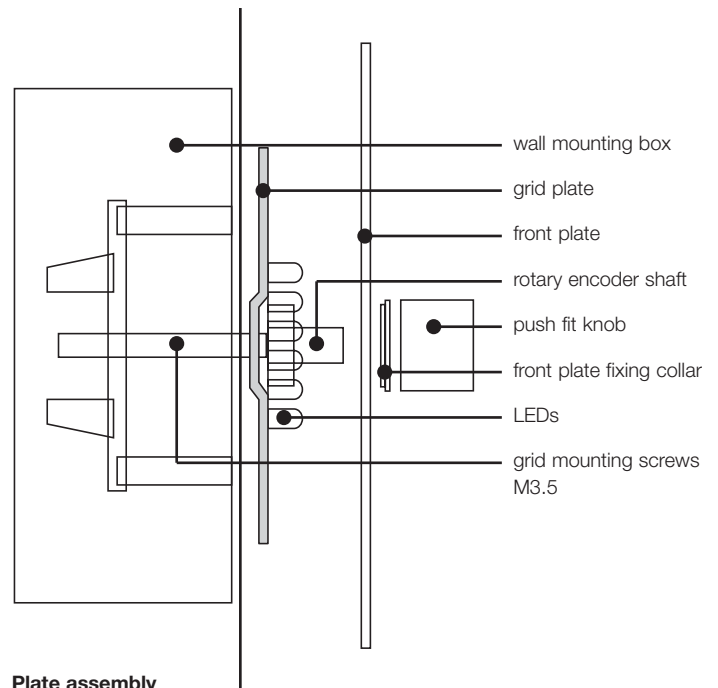


Plate assembly