



MoodMaker Lighting Control System

For setting and re-call of lighting scenes using 0-10V signalling

Component Parts

- MMSUM** MoodMaker Set-Up Unit – Master: one only per system
 - MMSUS** MoodMaker Set-Up Unit – Slave: up to three per system
 - MMSS-XX** Scene select plate: up to four per system, where **XX** denotes finish option:
SC satin chrome, **SS** satin steel, **PS** polished steel and **AB** antique brass. Many other finishes are available, and plates from most plate manufacturers can be supplied. Customised screening of plates is available. Please contact Multiload.
- Control Format:** Six moods (selected by rotary switch on scene select plate(s)), comprising four scenes (pre-adjustable on Set-Up Units) and (all channels) FULL and (all channels) OFF.

Set-Up Units: MMSUM and MMSUS

Channel capability

Per Set-Up Unit, six independently adjustable lighting channels: A B C D E F. Each channel is defined as a lighting circuit which consists of a number of 0-10V lighting drives all controlled by the same 0-10V brightness (dimming) signal.

Please refer to diagram below.

See data sheet: Operation Instructions MM102:
www.multiload.co.uk/downloads/MM102.pdf

Dimming signal outputs

Six analogue 0-10V signals (one per channel).
 Capacity of each channel signal: 20 standard ballast input equivalents.

- C1** = 0V, negative (can be commoned)
- C2** = output signal, 0-10V positive

NB. If mains supply to unit is inadvertently interrupted the C1 - C2 impedance goes high, thus signalling high brightness to the lamps.

Dimming signal output connections

(on Set-Up Unit base board)

Channels A B C: 6-way terminal block labelled C1, C2 for each of channel A B C. Terminal capacity: 2.5mm².

Channels D E F: 6-way terminal block labelled C1, C2 for each of channel D, E F. Terminal capacity: 2.5mm².

Global Control Connection

(on Set-Up Unit base board)

Overrides local mood selected by Scene Select Plates.

3-way terminal labelled: OFF, 0V, and FULL.

FULL: normally connected continuously to 0V (inactive). When disconnected from 0V (eg. by volts free fire alarm contact) imposes FULL state for safety.

OFF: normally not connected (inactive). When connected to 0V (eg. by key switch) imposes OFF state, overriding FULL state even if imposed as above. **NB.** These terminals can be commoned to all master or slave Set-Up Units in use.

Continued overleaf

Set-Up Unit dimensions

- Width** 180mm
- Length** 255mm
- Depth** 75mm

Indication of selected mood
 Fixed low level brightness on one of six red LEDs above scene or state selected

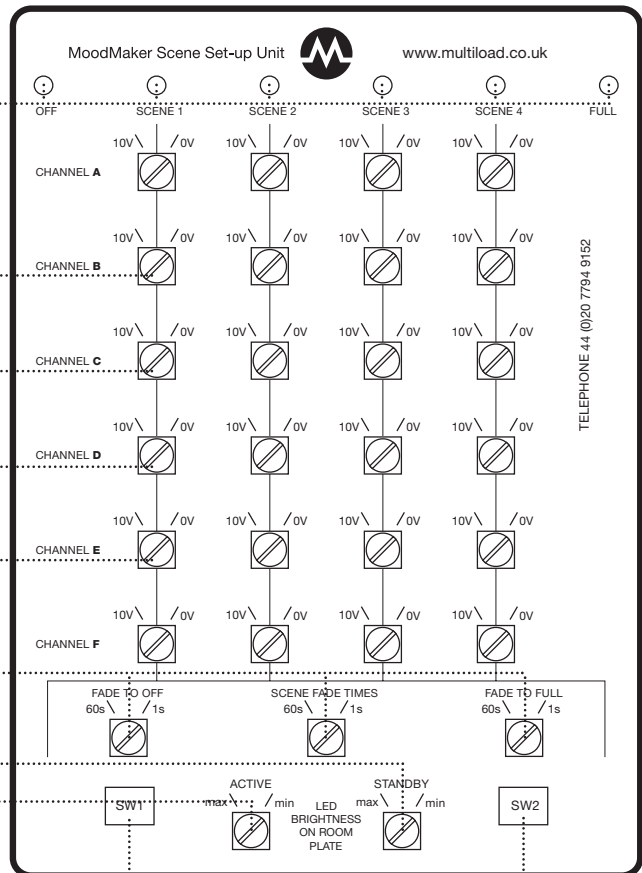
Channel brightness adjuster
 One for each channel on each of four scenes

Fading
 1 - 60 seconds on preset

Scene Select Plate LED standby brightness
 Continuous brightness normally shown.
 Adjustable between zero and maximum

Scene Select Plate LED active brightness
 Brightness shown while scene is being selected.
 Adjustable between zero and maximum

Mood change buttons



MoodMaker Scene Set-Up Unit MMSUM and MMSUS

Mains Supply

230V 50Hz nominal.
Internal fusing: 10 Amp F 1 1/4" X 1/4" OR 5 x 20mm.

Mains Voltage Connections

on Set-Up Unit base board
(see diagram top right)

9-way terminal block labelled:
L N E E N L2 L1 LA LB.

Each terminal can accept 2 X 4mm² cable.

Mains Supply Input Terminals

L N E. Earth connection provides earth for output terminals if required and is not mandatory.

Mains Voltage Output Terminals

Commoned outputs: E and N are commoned with E and N mains supply input terminals.

Switched Live outputs:

L1 = Overall mains output, switches OFF after a delay when OFF mood is selected.

L2 = Standby load mains output, switches ON as L1 switches OFF.

LA and LB = Independently switched mains outputs for channels A and B. These two channels have their own switched output which will switch OFF when the adjusted output signal for the channel goes below approximately 1V, ie. below minimum brightness for most loads.

NB. If power supply to Set-Up Unit top board is interrupted, L1 LA LB switch ON.

Maximum capacity: Total combined for the three switched outputs L1, LA, LB together: maximum 10A. Suitably rated lighting contactors (connected on one or more of the switched outputs) can be used to switch larger lighting loads.

Scene Select Plate Connection (see diagram top right)

MoodMaker Scene Select Plates (MMSS) are connected to the top board of the Set-Up Unit(s) (pluggable terminal supplied). Up to four Scene Select Plates can be paralleled together, ie. star-wired or daisy chained.

Maximum distance Scene Select Plate from Set-Up Unit is 150m.

8-way pluggable terminal block on top board of Set-Up Unit, numbered 0-7.

Cable: Simple 8-core signal or alarm-type cable (eg. RS365-593). Suggested colour scheme:

0 black	3 orange	6 blue
1 brown	4 yellow	7 white or purple
2 red	5 green	

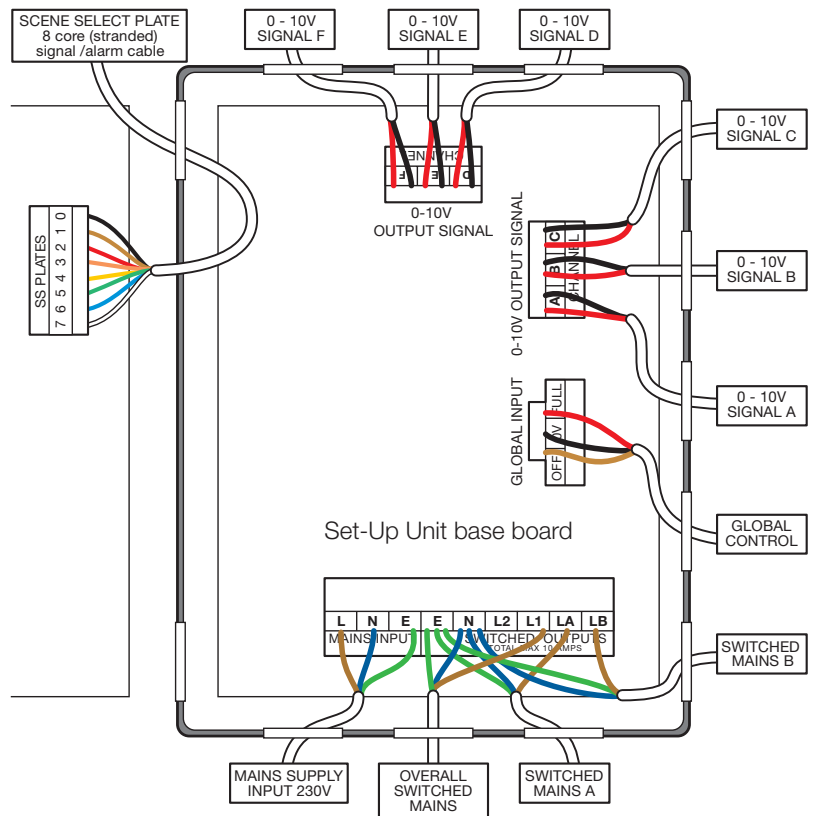
Cable Entry (see diagram top right)

Mains: Five grommets knockouts for five cables for mains input and outputs.

Output: Six grommets knockouts for six signal output cables to six channels.

Global: One grommeted knockout for one cable for global control.

Scene Select Plate: One grommeted knockout for one cable for Scene Select Plate(s).



Wiring Connections

Scene Select Plates MMSS-XX

One-gang screwless plate. Fits into a standard UK surface or recessed backbox. Minimum depth of backbox 36mm.

Finishes

XX = standard finish code: **SC** satin chrome, **SS** satin steel, **PS** polished steel and **AB** antique brass. Many other finishes are available, and plates from most Plate Manufacturers can be supplied. Customised screening of plates is available. Please contact Multiload.

Mood Selection

Machined rotary type knob with finish to match plate.

Rotates continuously with no end stops.

One clockwise click increases scene number by one until FULL state is reached. One anti-clockwise click decreases scene number by one until OFF state is reached.

Mood Indication

One of six coloured LEDs lights to indicate the mood selected:

Full state: white

Four scenes : Blue

OFF state: Green

LED intensity set by two presets on master Set-Up unit (above).

Connection to Set-Up Unit

2 X 4-way terminal blocks. Accepts cable thickness of 1.5mm². Each way numbered 0-7, connects to same-numbered terminal on top board of Set-Up Unit.