



multiload

Lighting Contactor

LC 100T

The LC100T Lighting Contactor provides remote mains switching and dimming control for 0-10V or 1-10V control gear, including LED drivers, fluorescent ballasts and VoltMaster

Contents

Installation	2
Technical specification	3
Related product options	4
Wiring diagrams	
Rotary Push-control Wall Dimmer RPC	4
Two Rotary Push-control Wall Dimmers RPC	5
Take Control Unit TCU100	5
MoodMaker Set-up Unit MMSU	6
LEDrose LDR100	6
VoltMaster	7

Product order codes

LC100T
Single lighting circuit



Installation

Function

The Multiload LC100T Lighting Contactor provides 0-10V controlled 2-way mains switches combined with boosted 0-10V signals, as well as providing a 15V power supply.

LC100T incorporates a Triac switch mechanism which can tolerate very high in-rush currents.

Mains outputs, L1, L2

Provide a 2-way switch when required.

When signal input is less than 1V, L1 is 'off' (open circuit) and L2 is 'on' (connected to mains live).

When signal input is more than 1V, L1 is 'on' (connected to mains live) and L2 is 'off' (open circuit).

If a 1-way switch is required, use L1.

Global inputs (ON and OFF)

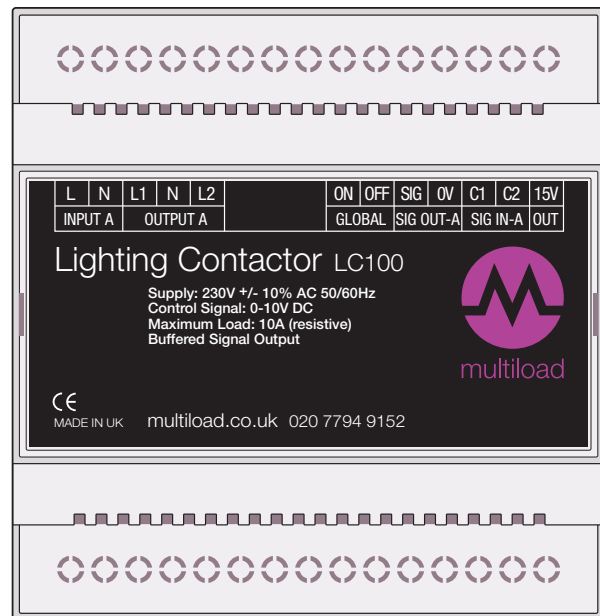
Provided for each switch and can be used with PIRs or a master switch. When held to 0V they are active.

When GLOBAL ON is active:

L1 is ON (connected to mains live) and L2 is OFF (open circuit)

When GLOBAL OFF is active:

L1 is OFF (open circuit) and L2 is ON (connected to mains live)



LC100T

Safety

The product complies with European Safety Regulations (IEC669-2-1) when used in lighting circuits containing suitably rated MCBs.

Installation

LC100T Lighting Contactor is a DIN-rail mounted product which should be installed in a suitable location. It is not supplied with a DIN-rail cabinet (contact Multiload if you need to have a cabinet supplied).

LC100T Lighting Contactor can also be installed as a standalone version for direct screw mounting in a suitable enclosure. Extend the lugs attached to the base of the enclosure.

Installation should be carried out by suitably qualified personnel in accordance with good electrical practice and the appropriate national wiring regulations.

The product complies with European Safety Regulations (IEC669-2-1) when used in lighting circuits containing suitably rated MCBs.

Switch off mains electrical supply before commencing.



Technical specification

This product is intended to be placed in a secure electrical cabinet. Secured on a DIN rail (EN60715).

Mains input voltage

230 Volts AC +/- 10% 50Hz (protected by MCB)

Load rating**Maximum continuous load for:**

For LC100T – 500VA

Maximum in-rush current over one mains cycle

For LC100T – 400A

Boosted signal output

Maximum total source – 40mA

Maximum total sink – 40mA

15V output

Maximum current output – 50mA

Environmental conditions**Ambient temperature**

10 to 40°C with free air flow

Humidity

Up to 95%

Physical data

Weight: 270g

Finish: Plastic

Dimensions: W:88mm; D:90mm; H:58mm

Terminal connections for the LC100T

Each terminal accepts cable up to 4mm²

INPUT A (mains supply terminal)

L (live): N (neutral)

OUTPUT A (load output terminals)

N (neutral):

L1 (switched live, switched off below 1V at signal input)

L2 (switched live, switched off above 1V at signal input)

SIG IN-A (signal input)

C1 (0V), C2 (0-10V signal)

GLOBAL

ON, OFF

SIG OUT-A (boosted signal output)

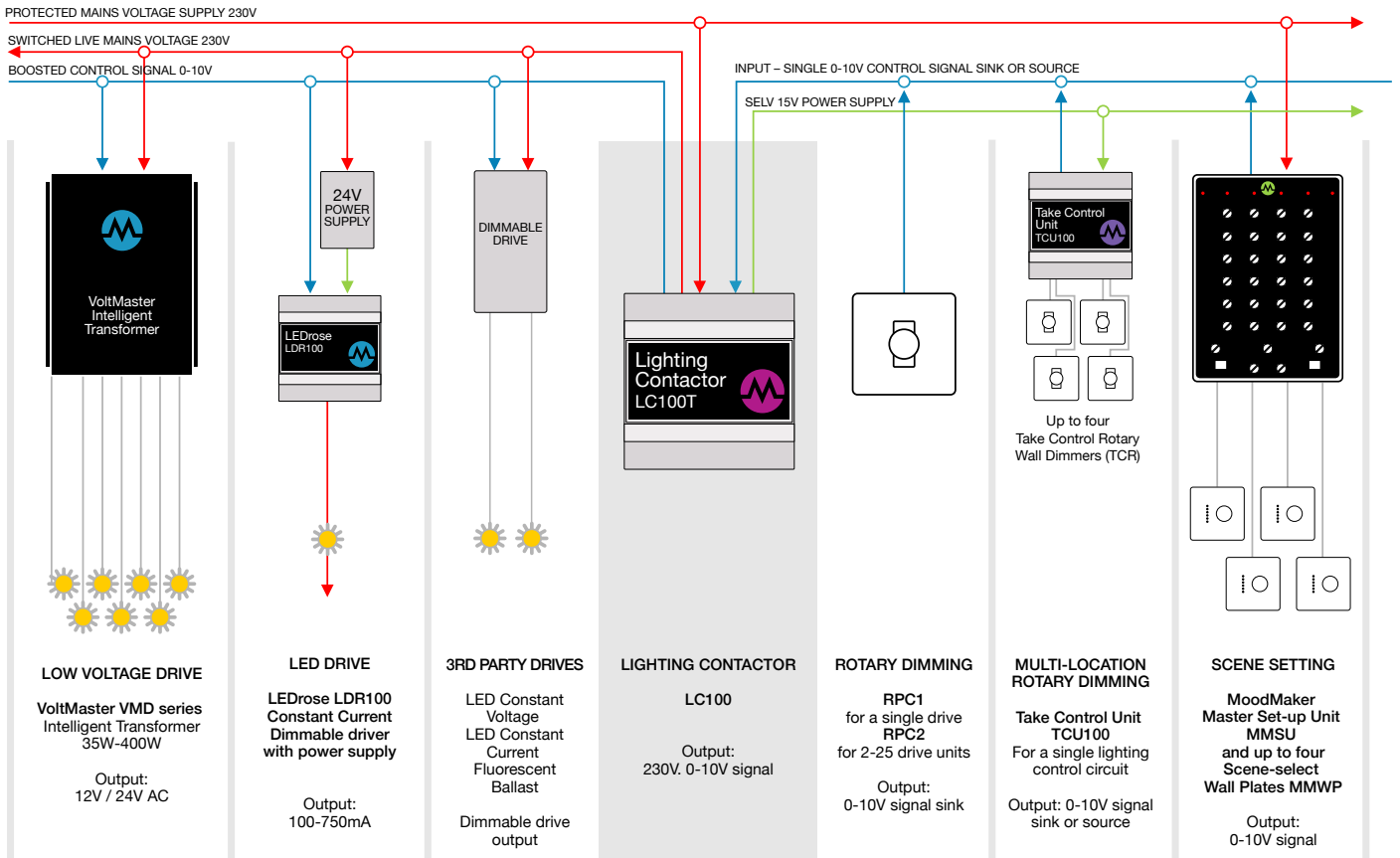
SIG

OUT (15V DC output)

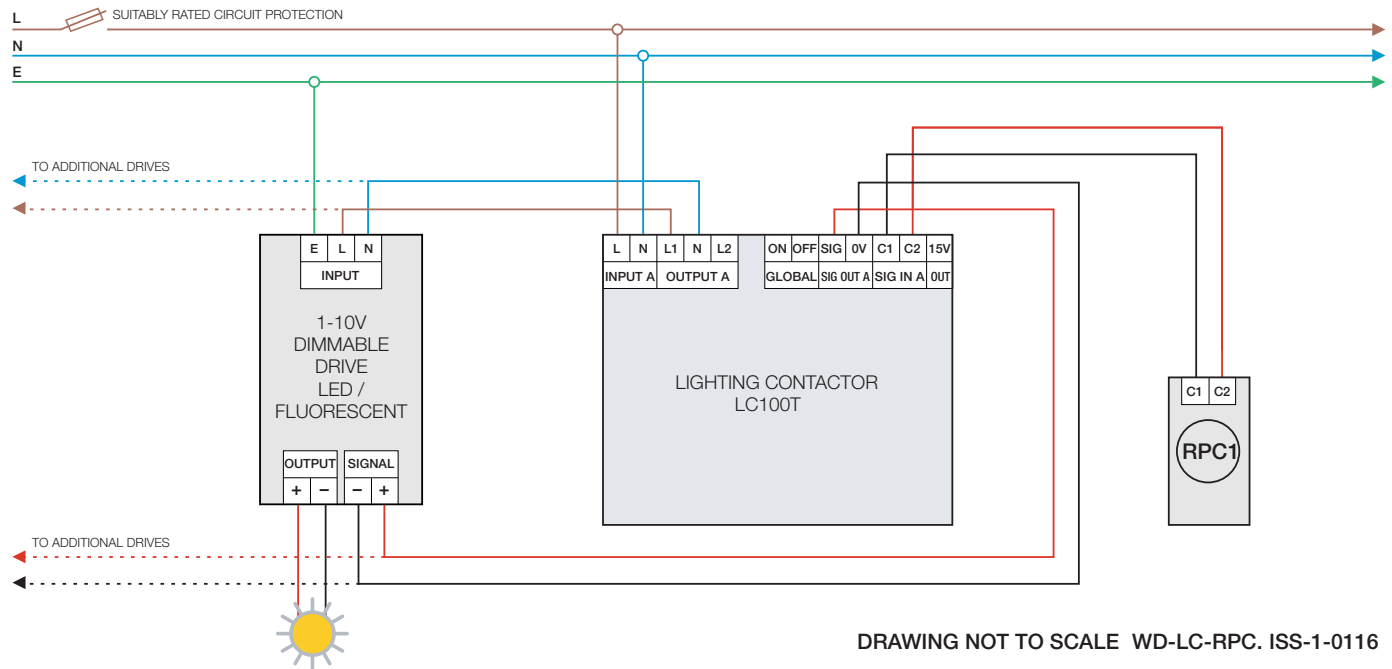
15V. 50mA maximum output current



Lighting Contactor LC100T related product options

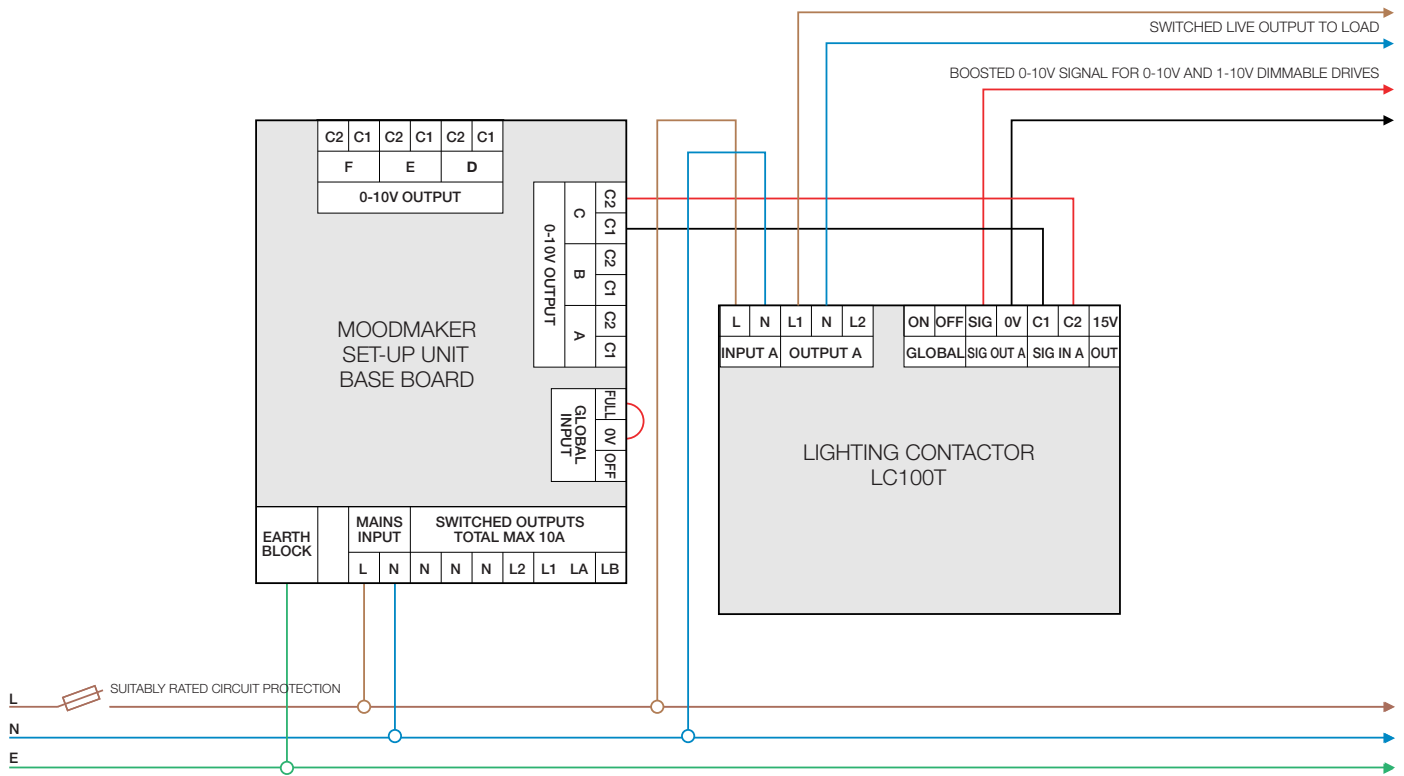


Lighting Contactor LC100T wired to Rotary Push-control Wall Dimmer RPC1



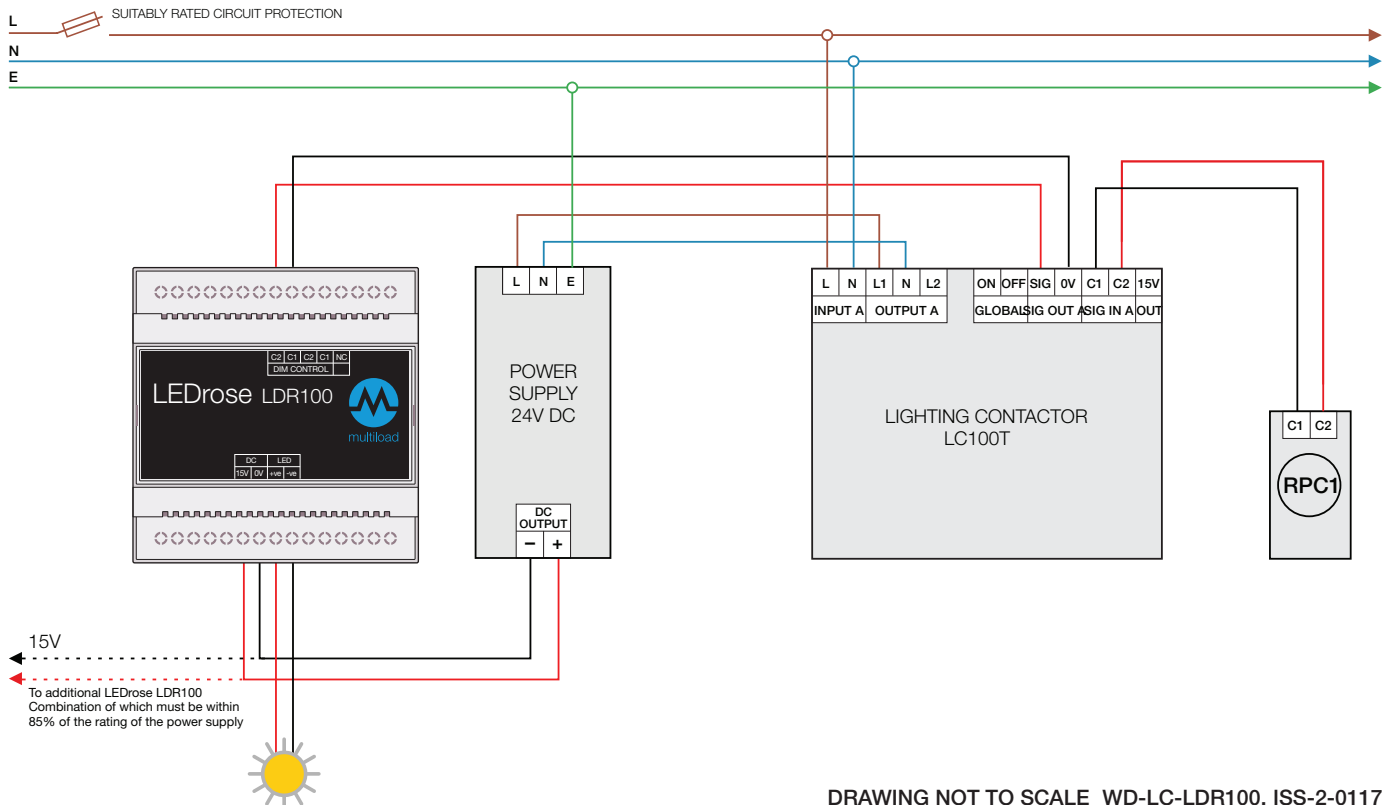


Lighting Contactor LC100T wired to MoodMaker Set-up Unit



DRAWING NOT TO SCALE WD-LC-MMSU. ISS-1-0116

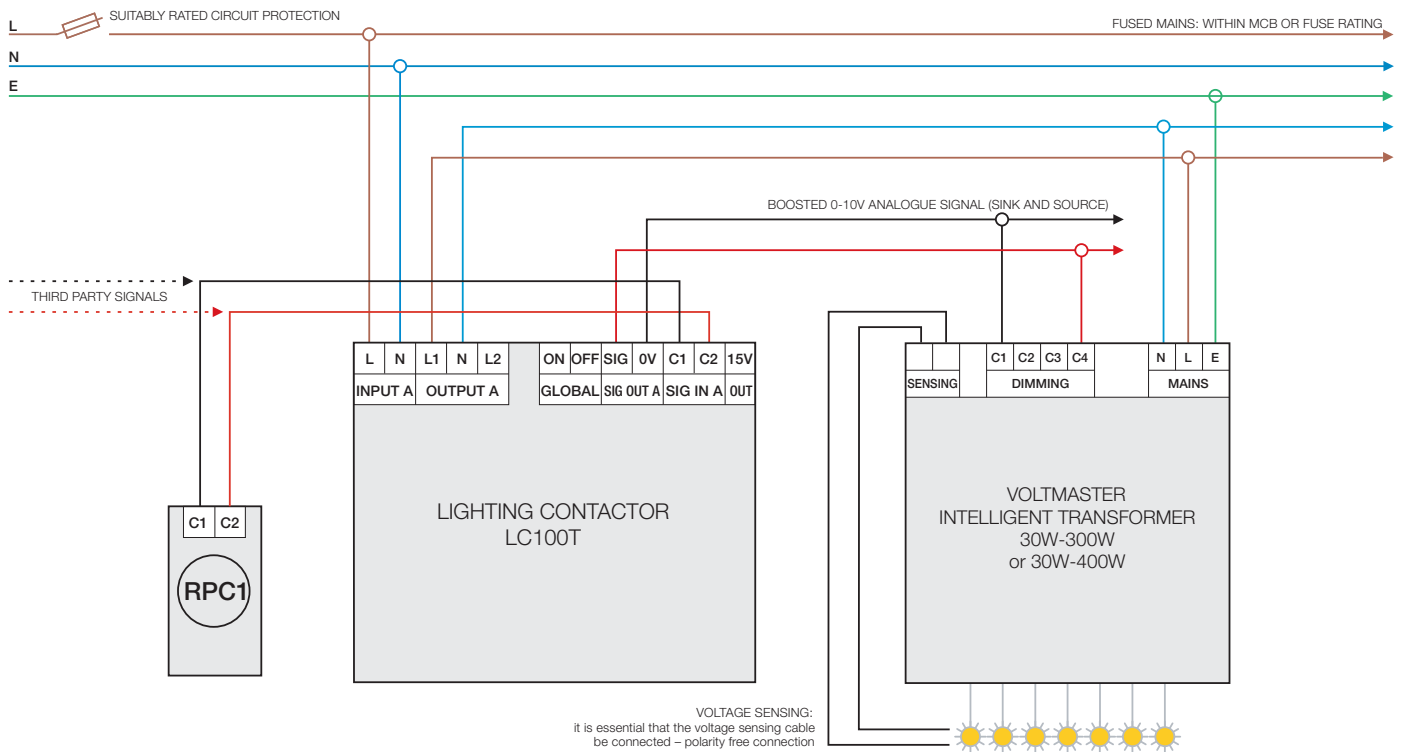
Lighting Contactor LC100T wired to a LEDrose LDR100



DRAWING NOT TO SCALE WD-LC-LDR100. ISS-2-0117



Lighting Contactor LC100T wired to VoltMaster



DRAWING NOT TO SCALE WD-LC-VMD. ISS-1-0116